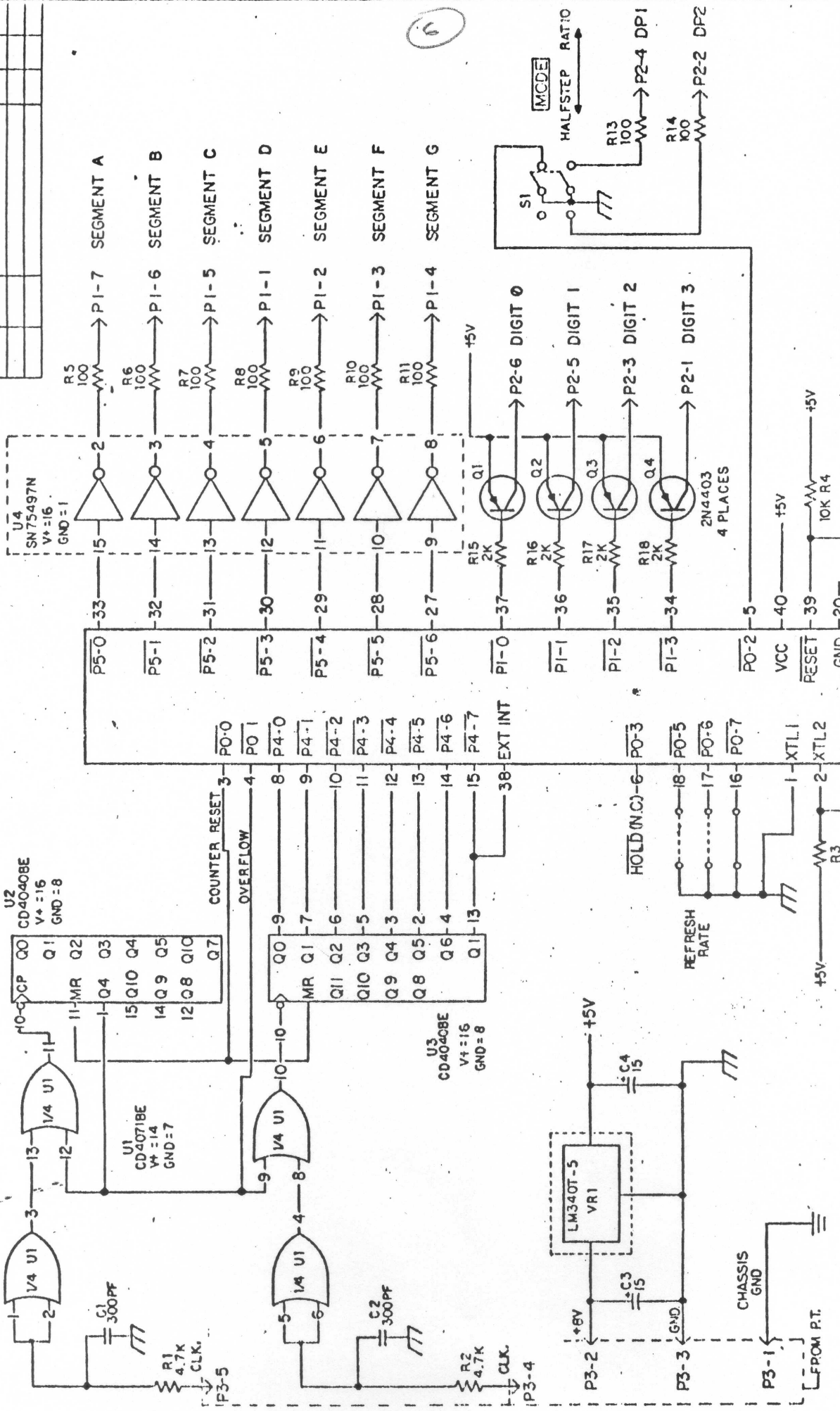


REVISION LOG

LEVEL	DATE	REVISIONS	BY	CHK
001	11-08-79	ASSEMBLY		
002				
003				
004				
005				
006				
007				
008				
009				
010				



MIXER INNOVATIONS INC.		DATE	PRINT DATE
TOLERANCE	DATE	11-8-79	
DRAWN BY	SCALE		
APPROVED BY	TITLE	SCHEMATIC DIAGRAM MOTHER BRD.	
FUNCTIONAL	PITCH	TRANSPOSER DISPLAY	
ANALOGUE	CHECKED BY	13-4001	
	PAGE	OF 2	
	REVISION LEVEL	101	

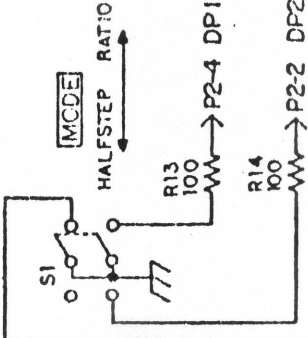
NOTE: SEE PAGE TWO FOR NOTES.

PINS NOT CONNECTED:
7, 19, 21, 22, 23, 24, 25, 26.

A1
MK 3870

MCDE

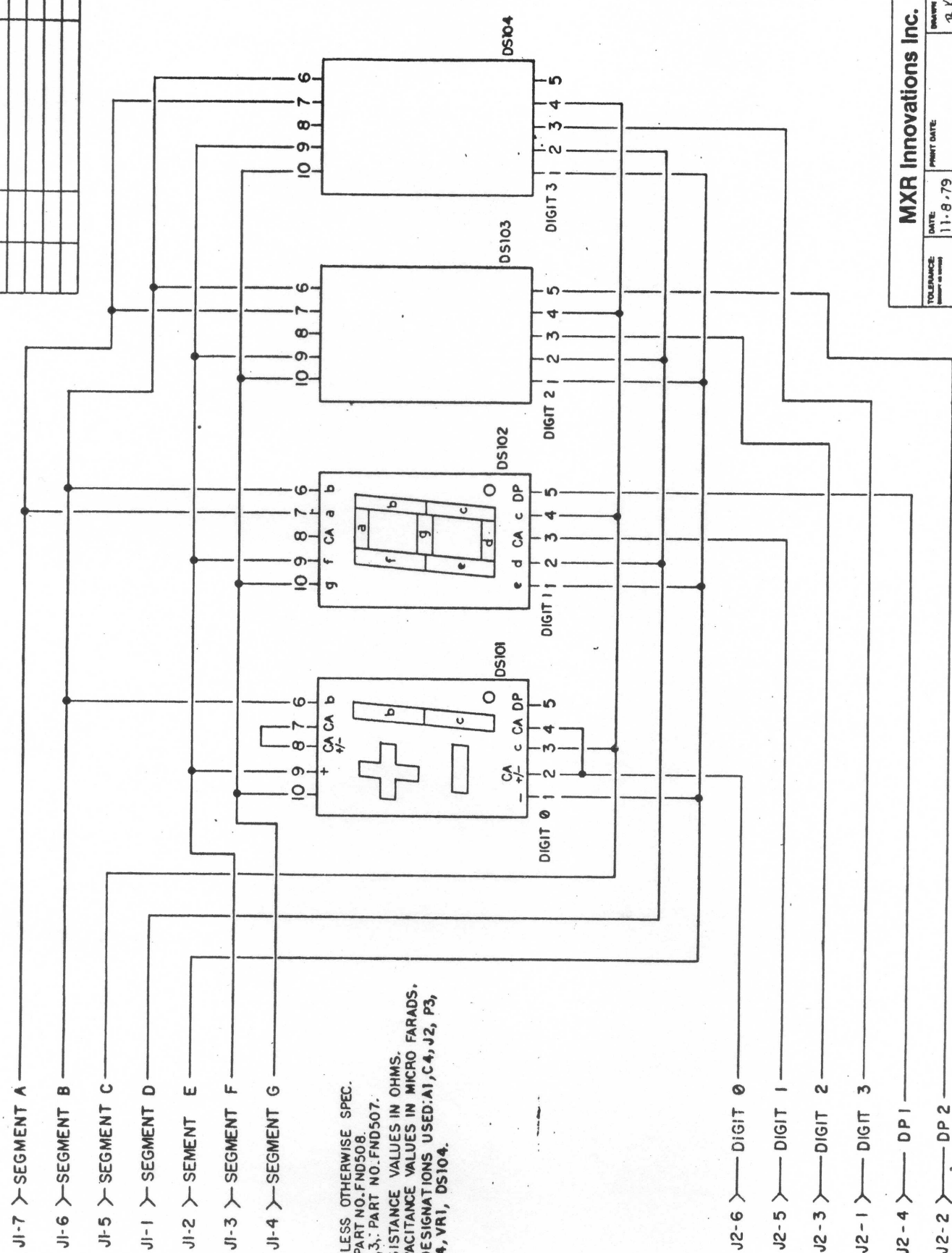
HALFSTEP RATIO



(6)

REVISION LOG			
LEVEL	DATE	BY	CHK

(4)



NOTES: UNLESS OTHERWISE SPEC.
 1. DIGIT 0 PART NO. FND508.
 2. ALL RESISTANCE VALUES IN OHMS.
 3. ALL CAPACITANCE VALUES IN MICRO FARADS.
 4. LAST DESIGNATIONS USED: A1, C4, J2, P3, R18, U4, VRI, DS104.

MXR Innovations Inc.		DATE: 11-8-79	PRINT DATE:
TOLERANCE: (unless noted)	DECIMAL:	SCALE:	DRAWN BY: B.K. [Signature]
FACTORY:	TITLE: SCHEMATIC DIAGRAM-DISPLAY BRO.		APPROVED BY: [Signature]
MODULE:	PITCH TRANSPOSER DISPLAY		REVISION LEVEL: 101
DRAWING NUMBER: 13-4001		PAGE 2 OF 2	